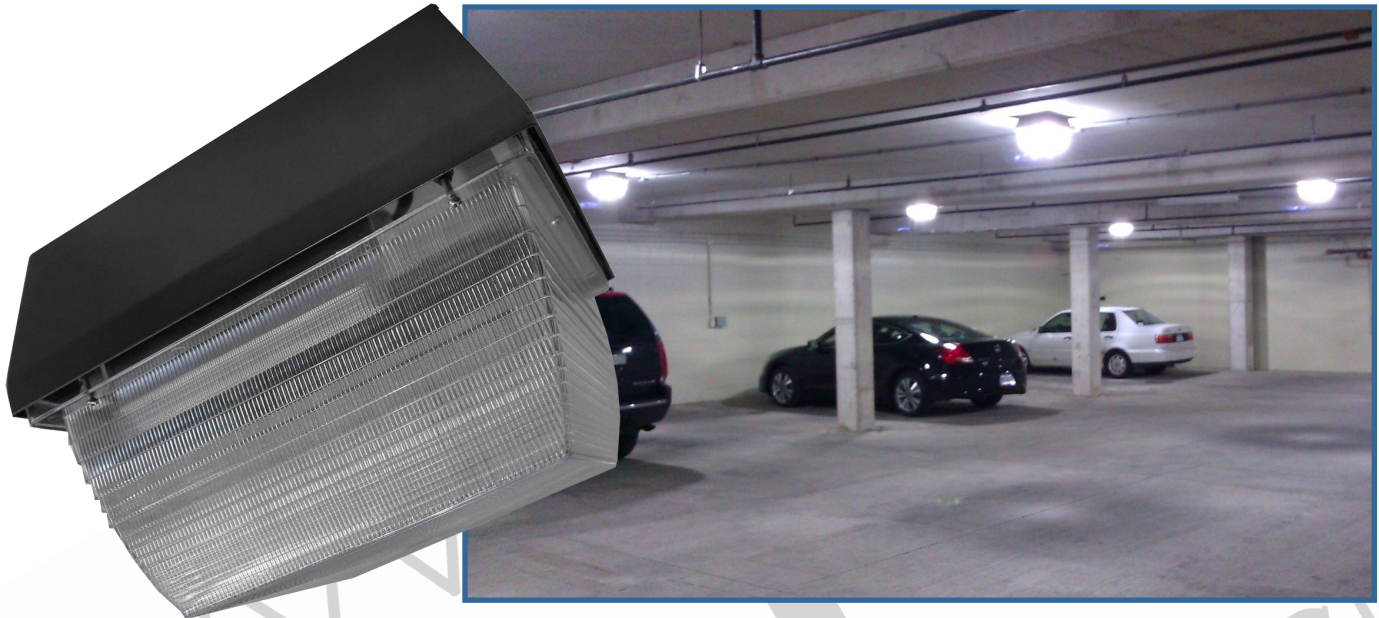


Project Name:	Location:	Date:	Qty:
Fixture Type:	Prepared by:	Comments:	

The WCP012 LED Area Light uses one high power LED array or a 28 Cree LED board. It replaces up to a 400 W HID fixture and can achieve an energy reduction of up to 80%.



Specifications

LED Module:

- One High Power LED Array or 28 Cree LED Board
- Custom High Brightness White Array
- Patented Phosphor Technology
- Lumen Degradation (L_{70}): > 80,000 hrs
- No UV, Infrared emission
- Luminous Efficacy: > 100 lm/W @ 25 °C
- CCT: 4500 K to 5000 K
- CRI: > 75 Ra

LED Driver Module:

- Input Voltage: AC 100 V to 277 V
- Power Factor: > 95%
- Power Efficiency: > 85%
- THD: < 10%
- Lifespan: > 100,000 hrs @ 80 °C internal temp
- IP Rating: IP65
- Patent Pending

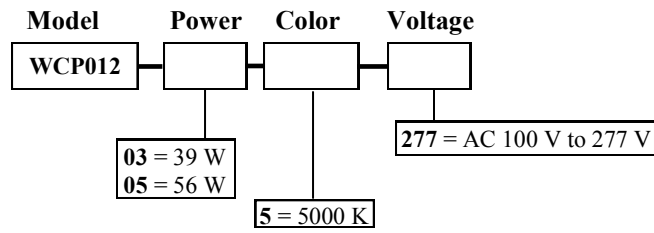
Luminaire:

- *Total Fixture Wattages: 34 W (39 W), 49 W (56 W)
- Ambient Operating Temperature: -30 °C to 40 °C
- Weight: 10 lbs
- IP Rating: IP66
- Replaces up to a 400 W HID fixture
- Controllability: Instant On/Off
- Longer lifespan than incandescent, fluorescent, and HID
- Wide voltage and constant-current solid state design
- High shock and vibration resistance
- Environmentally Friendly: No lead, mercury, argon, xenon, or other unsafe materials

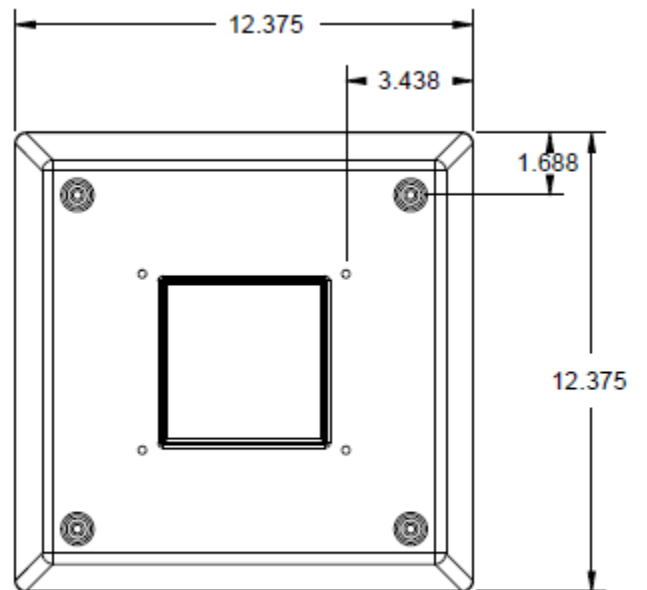
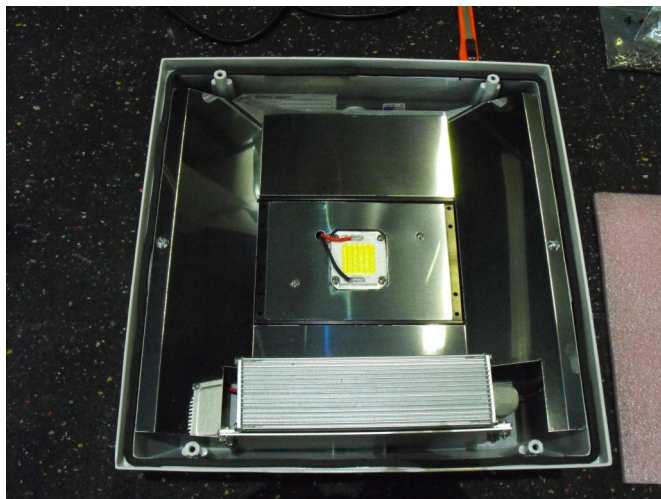
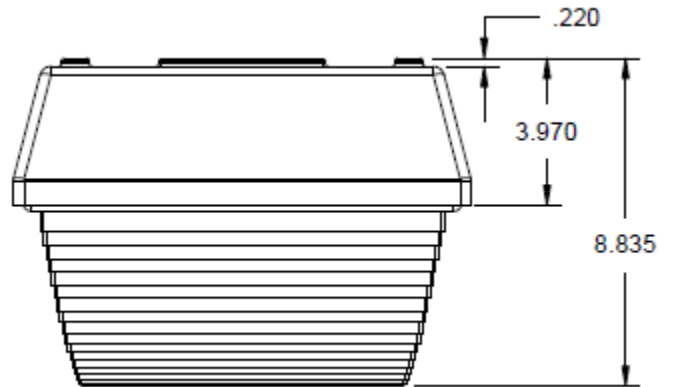
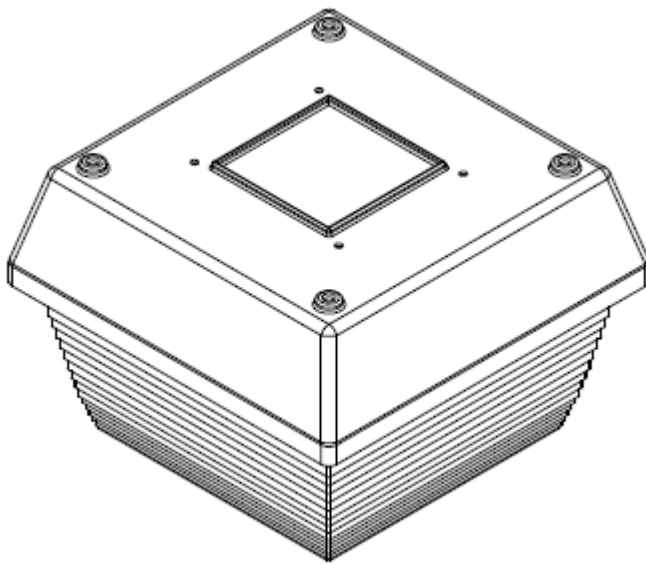
5 Year Labor and Part Warranty against manufacturer defect is provided to use under normal operating condition. Proof of purchase must be provided when warranty service is requested. Notice that improper use or unauthorized repair will not be covered by the warranty. S3J Electronics reserves the right to make changes to this document and to the product without notice. *Fixture wattage may vary from 1% to 2%.

WCP012 LED Canopy Light

Ordering Information



Dimensions



All units are in inches.