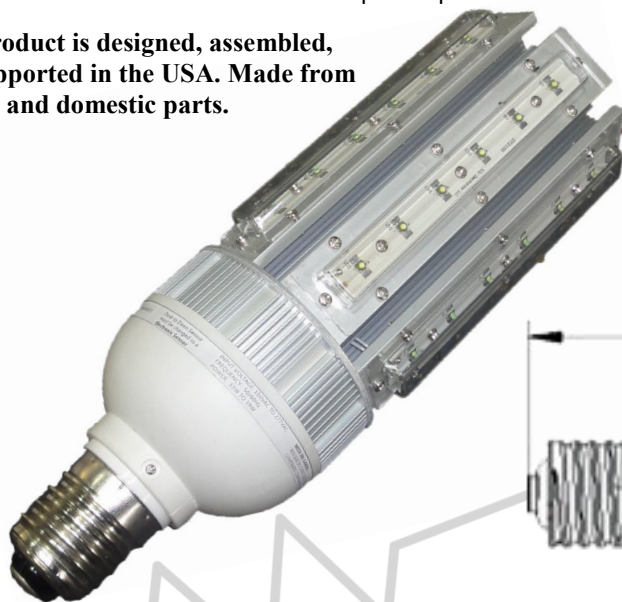


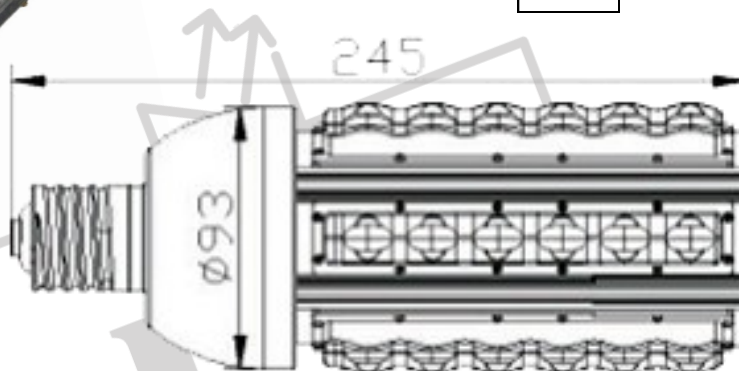
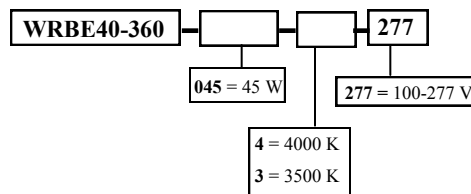
Project Name:	Location:	Date:	Qty:
Fixture Type:	Prepared by:	Comments:	

The WRBE40-360 W Replacement Bulb is an Omni-Directional LED Lamp with an E39/40 Base. At 45 W it can be retro-fitted into any commercial HID fixture. It can replace up to a 200 W HID Bulb, achieving an energy reduction of up to 70%.

This product is designed, assembled, and supported in the USA. Made from foreign and domestic parts.



Product Selection:



Specifications

LED Module:

- 36 Cree LEDs in 6 Linear Arrays
- Lumen Degradation(L₇₀): > 80,000 hrs
- No UV, Infrared Emission
- Luminous Efficacy: > 114 lm/W @ 25 °C
- Board Voltage: 21 V
- CCT: 3000 K or 4500 K
- CRI: > 80 Ra

LED Driver Module:

- Input Voltage: AC 100 V to 277 V
- Power Factor: > 95%
- Power Efficiency: > 85%
- THD: < 10%
- Lifespan: > 100,000 hrs @ 80 °C internal temp
- Patent Pending
- UL Certified Driver

Luminaire:

- *Total Fixture Wattage: 40 W (45 W)
- Ambient Operating Temperature: -30 °C to 40 °C
- Weight: 2 lbs to 4 lbs
- IP Rating: IP60
- E40 Base, Optional E26 Base
- Replaces up to a 200 W HID bulb
- Controllability: Instant On/Off
- Longer lifespan than incandescent, fluorescent, and HID
- Wide voltage and constant-current solid state design
- High shock and vibration resistance
- Environmentally Friendly: No lead, mercury, argon, xenon or other unsafe materials
- Body and Lamp Material: PC and Aluminum Alloy
- Custom designed heat sink
- Downlifting or Uplifting prisms

Caution:

This lamp must be controlled only by either a switch or an electronic photosensor.

Do not use a mechanical sensor!

5 Year Labor and Part Warranty against manufacturer defect is provided to use under normal operating condition. Proof of purchase must be provided when warranty service is requested. Notice that improper use or unauthorized repair will not be covered by the warranty. S3J Electronics reserves the right to make changes to this document and to the product without notice. *Fixture wattage may vary from 1% to 2%.